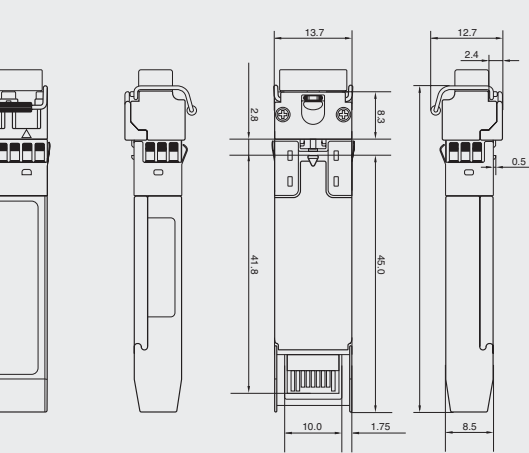




# DWDM SFP 1G

## Overview

Integra manufactures the highest quality SFP transceivers in the industry, designed to be 100% interoperable with all OEM platforms. We're the first optics manufacturer in the Western Hemisphere to invest in high-speed robots, allowing us to scale our operations to handle virtually any order, large or small, and ensure every transceiver is correctly coded and tested 100% of the time.



## Features

- ➔ Operating Data Rate up to 1.25Gbps
- ➔ Distance Ranging from 80km to 160km
- ➔ ITU DWDM 100GHz Channels 15-61 Available
- ➔ 50GHz Spacing Available
- ➔ SMF Duplex LC Connector Interface
- ➔ Commercial, Extended & Industrial Temperatures Available
- ➔ Digital Diagnostics Monitoring
- ➔ SFP MSA Compliant

## Applications

- ➔ 1000Base-ZX, 1000Base-EZX
- ➔ Metro-Ethernet and Carrier Ethernet Networks
- ➔ Fibre Channel and CPRI
- ➔ Extended ZX Optical Links

## Detailed Specifications

Integra Part Number	Wavelength (nm)	Distance (km)	Budget (dB)	TX Min/Max (dBm)	Rx Sensitivity (dBm)	Fiber Type	Description
SFP-DXX-120-GD *(Note1)	1528.77 - 1565.50	120	29	0/5	-29	SMF/LC	SFP DWDM 1000Base-EZX, 100GHz
SFP-DXX-160-GD	1528.77 - 1565.50	160	34	2/7	-32	SMF/LC	SFP DWDM 1000Base-EZX, 100GHz

Note1: XX refers to DWDM wavelength channel 1528.77 (D61) - 1565.50nm (D15).

For more information on OEM support please go to [www.IntegraOptics.com](http://www.IntegraOptics.com)

## Did You Know?

You can ensure coding accuracy and eliminate time spent finding replacement optics when you choose Integra transceivers. Our Smart Coder allows technicians to reconfigure our transceivers for specific hardware right in the field.

## Our Mission

---

Our mission is to ensure that our customers turn up services faster, build out the fiber networks they need to be competitive, and keep them up and running.

## Our Process and Commitment to Uptime

---



Integra Optics is leading the way in uptime. We're innovating the transceiver manufacturing process for more reliable optics and increased availability, from product concept to customer service. We have designed our process to get the very best transceivers to our customers faster than ever before.

- ➔ **Designed for interoperability:** Integra brand transceivers designed and programmed to be 100% interoperable with OEM platform hardware and fully comply with OEM equipment warranties
- ➔ **Automated production:** Automated production process in our US facility, using the first high-speed robots in the Western Hemisphere for coding and testing transceivers
- ➔ **Accurate coding:** Every transceiver is correctly coded and tested 100% of the time, resulting in optics that are 33 times more reliable than both OEM and third party generics
- ➔ **On-demand availability:** We maintain the largest inventory of transceivers in the Western Hemisphere to fill transceiver orders in days rather than the weeks or months, and help customers manage their supply chains.
- ➔ **24-hour support:** Experienced customer support team, available 24-hours a day, for technical support and equipment orders
- ➔ **A responsive organization:** Unmatched customer service, next-day shipping and even private aircraft to respond to our customers' needs
- ➔ **Experienced engineers:** Vast industry experience to help troubleshoot problems, consult on network design solutions and help with turn up
- ➔ **ISO Certified:** We hold the ISO 9001:2008 Quality Management System Certification for our dedication to quality in every step of our processes

## Additional Information

---

For more information about DWDM SFP 1G please contact a sales representative at [sales@integraoptics.com](mailto:sales@integraoptics.com) or visit [integraoptics.com](http://integraoptics.com)